

# DX1003-W

The DX modular housing arrangement offers a flexible and space conscious solution to integrating our innovative DXO Cartridge to both new and existing systems. We provide up to 12 cartridges as a single unit in a compact and easily maintainable layout.

The unit can be supplied with a number of standard options to provide an effective conditioning and monitoring package to suit the majority of systems. The flexibility of the unit allows tailoring to a customer's specific requirements.



## DXO Cartridge

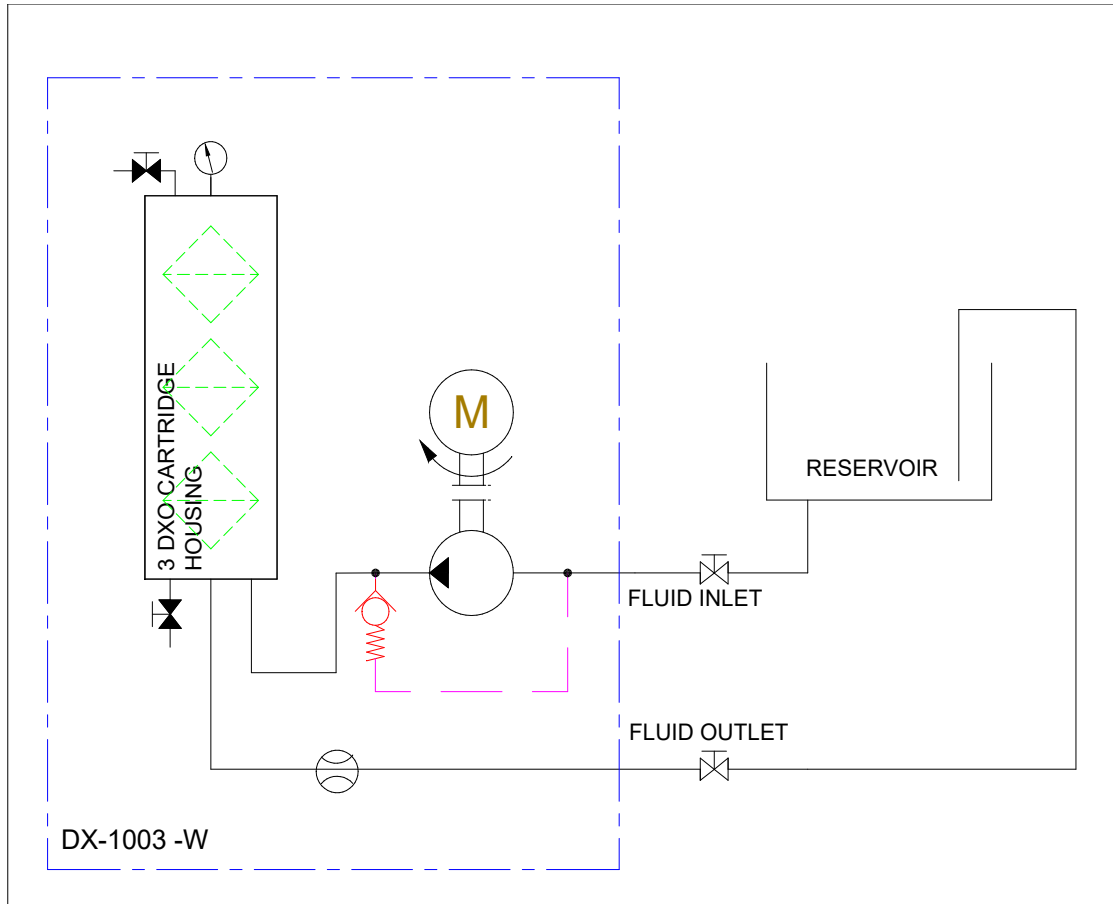
|                                   |                    |
|-----------------------------------|--------------------|
| Contamination capacity:           | 1955 g, 0.1 micron |
| Water absorption, free and bound: | 2600ml             |
| Material insert:                  | PP Cellulose mix   |



© 2019 Delta-Xero All Rights Reserved. All information contained in this publication is indicative only and may be subject to change without prior notice.



### Technical Specification



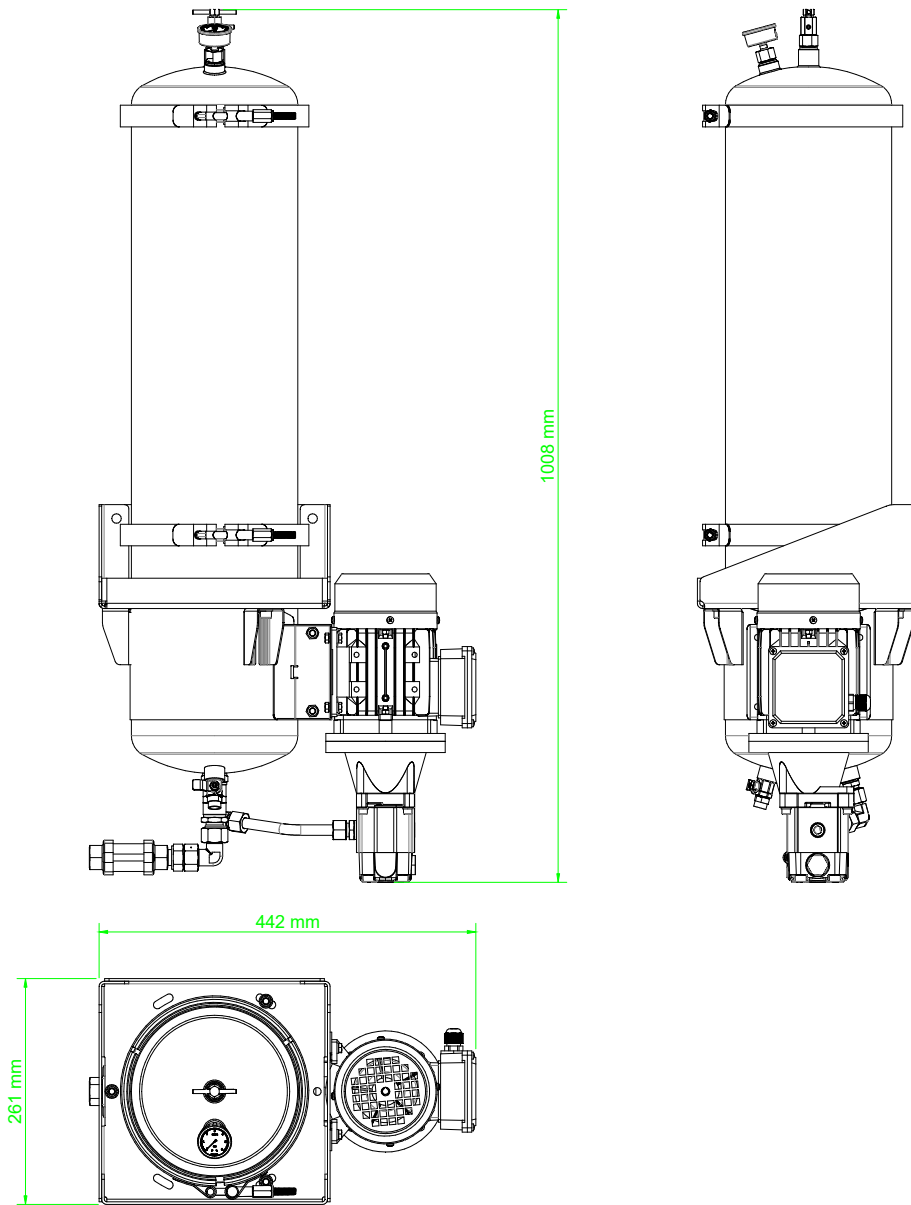
#### DX1003-W

|                        |                                     |
|------------------------|-------------------------------------|
| Drive Input            | See Model Selector, Page 4, Table D |
| Pump Connection Ports  | 3/8" BSP In & Out                   |
| Flow Indicator         | Visual as Standard                  |
| Max Reservoir Capacity | 6000l @ 32cSt                       |
| Flow Rate              | 3 lpm @ 32cSt                       |
| Particulate Removal    | 0.1 Micron                          |
| Weight [kgs]           | 20                                  |
| Measure [mm]           | H 1008 x D 261 x L 442              |
| Material               | SS316                               |
| DXO Cartridge          | x 3                                 |



**LONGWALL HYDRAULICS**  
 NSW 02 4271 2999 - QLD 07 4952 3612  
[www.longwall.net](http://www.longwall.net)

### General Arrangement



## Model Code Selector

### Model Code Selector

Series **A** **B** **C** **D** **E** **F** **G** **H** **I** **J** **L** **K**  
**DX** 10 **03** - **W** **G** - - - **N** **1** - **NNN**  
(Special Execution On Request)

#### A Configuration

|    |   |
|----|---|
| 1  | 1 x Single Canister - 1 x DX Cartridge                        |
| 2  | 1 x Single Canister + 1 x Dual Extender - 2 x DX Cartridge    |
| 3  | 1 x Single Canister + 1 x Triple Extender - 3 x DX Cartridge  |
| 4  | 2 x Single Canister + 2 x Dual Extenders - 4 x DX Cartridge   |
| 6  | 2 x Single Canister + 2 x Triple Extender - 6 x DX Cartridge  |
| 9  | 3 x Single Canister + 3 x Triple Extender - 9 x DX Cartridge  |
| 12 | 4 x Single Canister + 4 x Triple Extender - 12 x DX Cartridge |

#### B Mounting

|   |                    |
|---|--------------------|
| W | Wall Mount Bracket |
|---|--------------------|

#### C Insert

|   |       |
|---|-------|
| G | Green |
|---|-------|

#### D Feed Type

|      |               |   |           |
|------|---------------|---|-----------|
| 1-6  | Configuration | A | 110v      |
|      |               | B | 220v      |
|      |               | C | 415v      |
|      |               | D | 110v      |
|      |               | E | 220v      |
|      |               | F | 415v      |
| 1-6  | Configuration | H | Hydraulic |
|      |               | P | Pneumatic |
|      |               | Q | Pneumatic |
| 9,12 |               | N | None      |

#### E Frequency

|   |                |
|---|----------------|
| 1 | 50 Hz          |
| 2 | 60 Hz          |
| N | Not Applicable |

#### F Flow Indicator

|   |                    |
|---|--------------------|
| V | Visual Indication  |
| D | Digital Indication |
| C | Both               |
| N | None               |

#### G Electrical Start/Stop Control Panel

|   |      |
|---|------|
| 1 | Yes  |
| N | None |

#### H Overspill Sensor

|   |      |
|---|------|
| N | None |
|---|------|

#### I Condition Monitoring

|   |                  |   |
|---|------------------|---|
| 1 | Tan Delta        | * |
| 2 | Particle Counter | * |
| 3 | Both             | * |
| N | None             |   |

#### J Interconnection Type

|   |               |
|---|---------------|
| 1 | Pipework - SS |
|---|---------------|

#### K Certification

|   |             |
|---|-------------|
| 1 | Standard    |
| 2 | Atex Zone 1 |
| 3 | Atex Zone 2 |

#### L Painting

|                       |      |
|-----------------------|------|
| (Motor and Pump Only) |      |
| N                     | None |
| P                     | Yes  |

\* Only available in conjunction with Option G1

