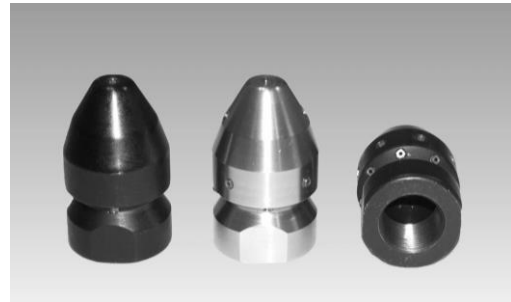
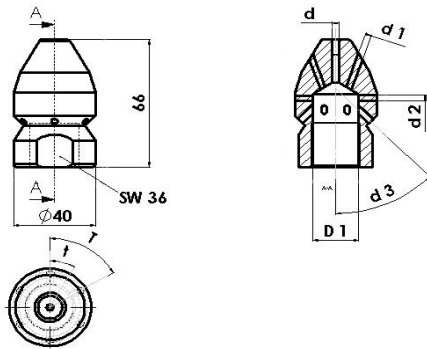


# Pipe Cleaning Nozzle 1000 bar

rigid outer Ø 40 mm

Z 46-3e

01.01.2017



### Order example:

Pipe Cleaning Nozzle with nozzle insert M4 (steel) and jet angle according table chart = **7014305 / 1856.2.09**

Part no.	Order no.	D mm	Nozzle-insert	Connection thread D1 female	d VS	d 1 30°	d 2 90°	d 3 45°	min. – max. pipe inner Ø mm
7014304	1851.2.09	40	M 4	M 24x1.5	1 x	---	---	4 x 45°	50 - 200
7013675	1852.2.09	40	M 4	M 24x1.5	1 x	---	---	6 x 45°	
7013544	1853.2.09	40	M 4	M 24x1.5	1 x	---	---	8 x 45°	
7013545	1854.2.09	40	M 4	M 24x1.5	1 x	---	---	10 x 45°	
7013547	1855.2.09	40	M 4	M 24x1.5	1 x	---	3 x 90°	3 x 45°	
7014305	1856.2.09	40	M 4	M 24x1.5	1 x	---	4 x 90°	4 x 45°	
7013546	1857.2.09	40	M 4	M 24x1.5	1 x	---	5 x 90°	5 x 45°	
7013540	1858.2.09	40	M 4	M 24x1.5	1 x	4 x 30°	---	4 x 45°	
7014075	1859.2.09	40	M 4	M 24x1.5	1 x	5 x 30°	---	5 x 45°	
7013543	1860.2.09	40	M 4	M 24x1.5	1 x	2 x 30°	2 x 90°	2 x 45°	
7019129	1861.2.09	40	M 4	M 24x1.5	1 x	2 x 30°	4 x 90°	4 x 45°	

### Adapter M 24x1.5 (Double nipple)

Part No.	Double nipple male	1.side for nozzle	2.side for hose
1051632	M 24x1.5	with nose	DKO 24°

**By ordering please specify the working pressure and flow rate of the used pump!**

Further nozzle versions on request!

KAMAT GmbH & Co. KG

Salinger Feld 10, 58454 Witten, Deutschland, Fon +49 (0)23 02 / 89 03-0, Fax +49 (0)23 02 / 80 19 17, info@KAMAT.de, www.KAMAT.de

Technische Änderungen vorbehalten. / The right to technical changes is reserved.