

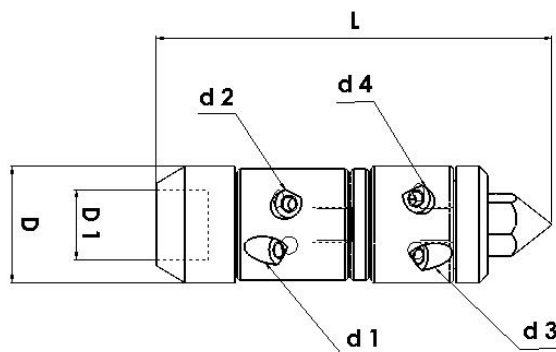
## Twin Rotary Nozzle DRD 1000 bar

Z 46-6e

01.01.2017

Ideal application area of the DRD rotary nozzle is in the case of heaviest deposits as well as in the case of pipe bundles. (Power stations, refineries, etc.).

The front rotating part releases the deposits, which are moved backwards by the rear-end rotating part. This is a great time saver.



Above D 40 mm = The Twin rotating nozzles are equipped with an adapter M 24x1.5 male.

Part no.	Order no.	L mm	D mm	Nozzle insert	Connection D1	d 1	d 2	d 3	d 4	min. - max. pipe inner Ø mm
7018577	3201.0.14	56	17	drilled	1/8" IG	2 x 85° backward		2 x 85° forward		20 - 50
7013452	3202.0.15	56	17	drilled	1/4" IG	4 x 85° backward		4 x 85° forward		20 - 50
7014390	3203.1.15	95	28	M 4 ceramic	1/4" IG	2 x 40°	2 x 70°	2 x 40°	2 x 70°	35 - 80
7020931	3203.2.15	95	28	M4 steel	1/4" IG	2 x 40°	2 x 70°	2 x 40°	2 x 70°	35 - 80
7020933	3203.3.15	95	28	M4 sapphire	1/4" IG	2 x 40°	2 x 70°	2 x 40°	2 x 70°	35 - 80
7013885	3206.1.09	136	40	M 6 ceramic	M 24x1,5 AG	2 x 40°	2 x 70°	2 x 40°	2 x 70°	50 - 150
7017523	3206.3.09	136	40	M 6 sapphire	M 24x1,5 AG	2 x 40°	2 x 70°	2 x 40°	2 x 70°	50 - 150

**By ordering please specify the working pressure and flow rate of the used pump!**

Further nozzle versions on request.