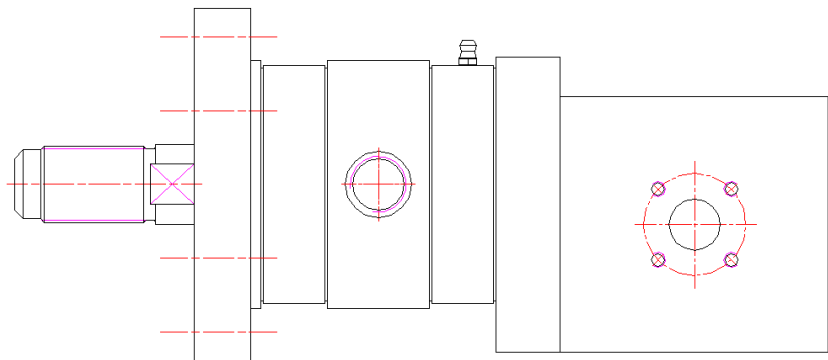


Rotating Joint 20/1500

Z 65-3 e

01.04.2008



Technical data

Part No.:	7008787
Max. working pressure:	1500 bar
Nom. diameter:	20 mm
Connection inlet:	M 22 x 1.5 female
Connection shaft side:	M 30 x 2
Length:	320 mm (188 mm)
Weight:	approx. 7.5 kg with hydraulic motor

Hydraulic drive:

Speed: 0 - 500 rpm (depending on pressure of rotating joint)

Hydraulic motor:

Consumption:	8 cm ³ / U (according to torque requirement)	Part No. 7008788
	11 cm ³ / U (according to torque requirement)	Part No. 7008789
	16 cm ³ / U (according to torque requirement)	Part No. 7008790
	19 cm ³ / U (according to torque requirement)	Part No. 7008791
	22.5 cm ³ / U (according to torque requirement)	Part No. 7008792

Max. oil pressure: 230 -160 bar, depending on hydraulic motor

Note

Rotating arms, nozzle holder, etc. can be designed to specification